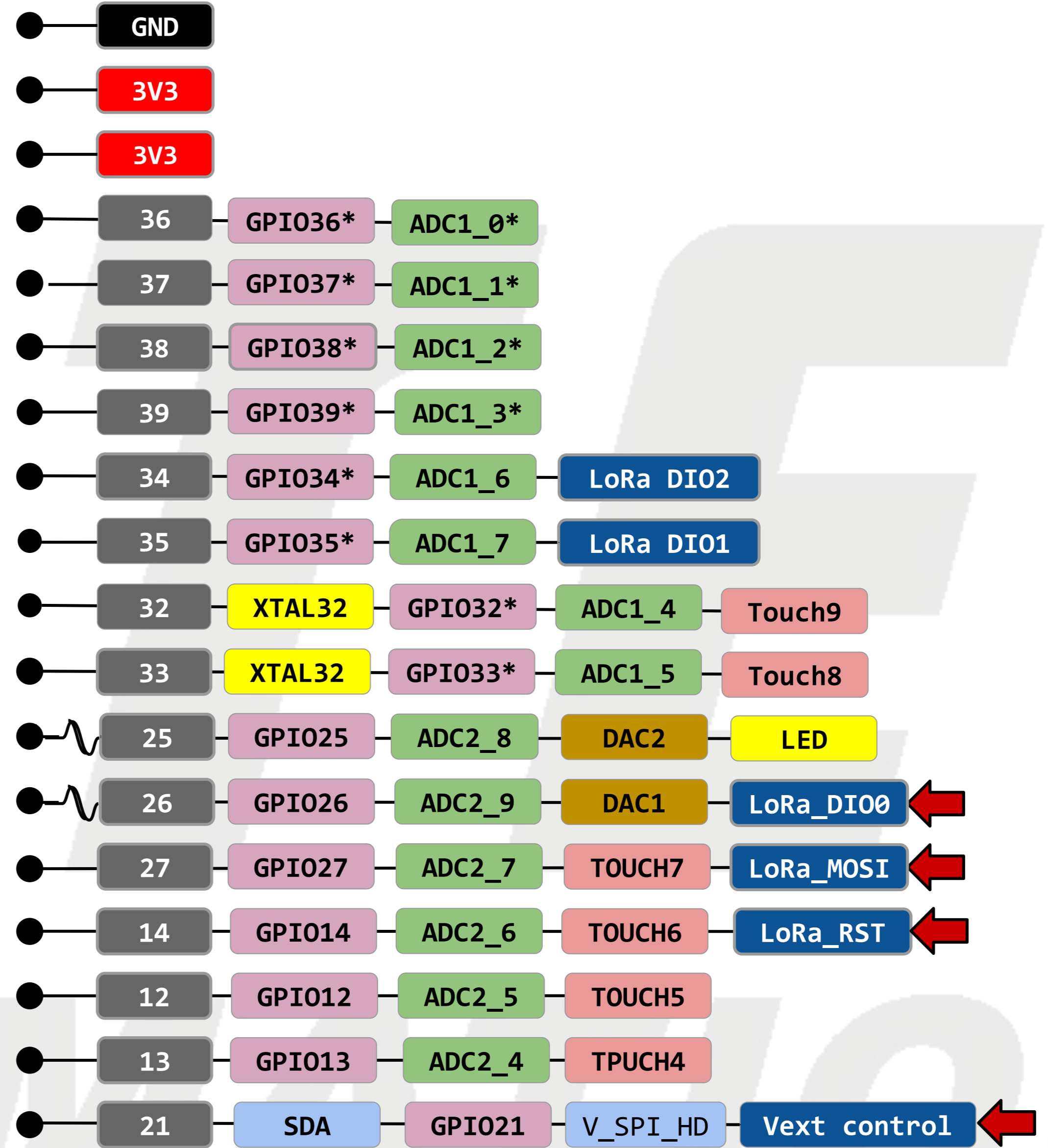
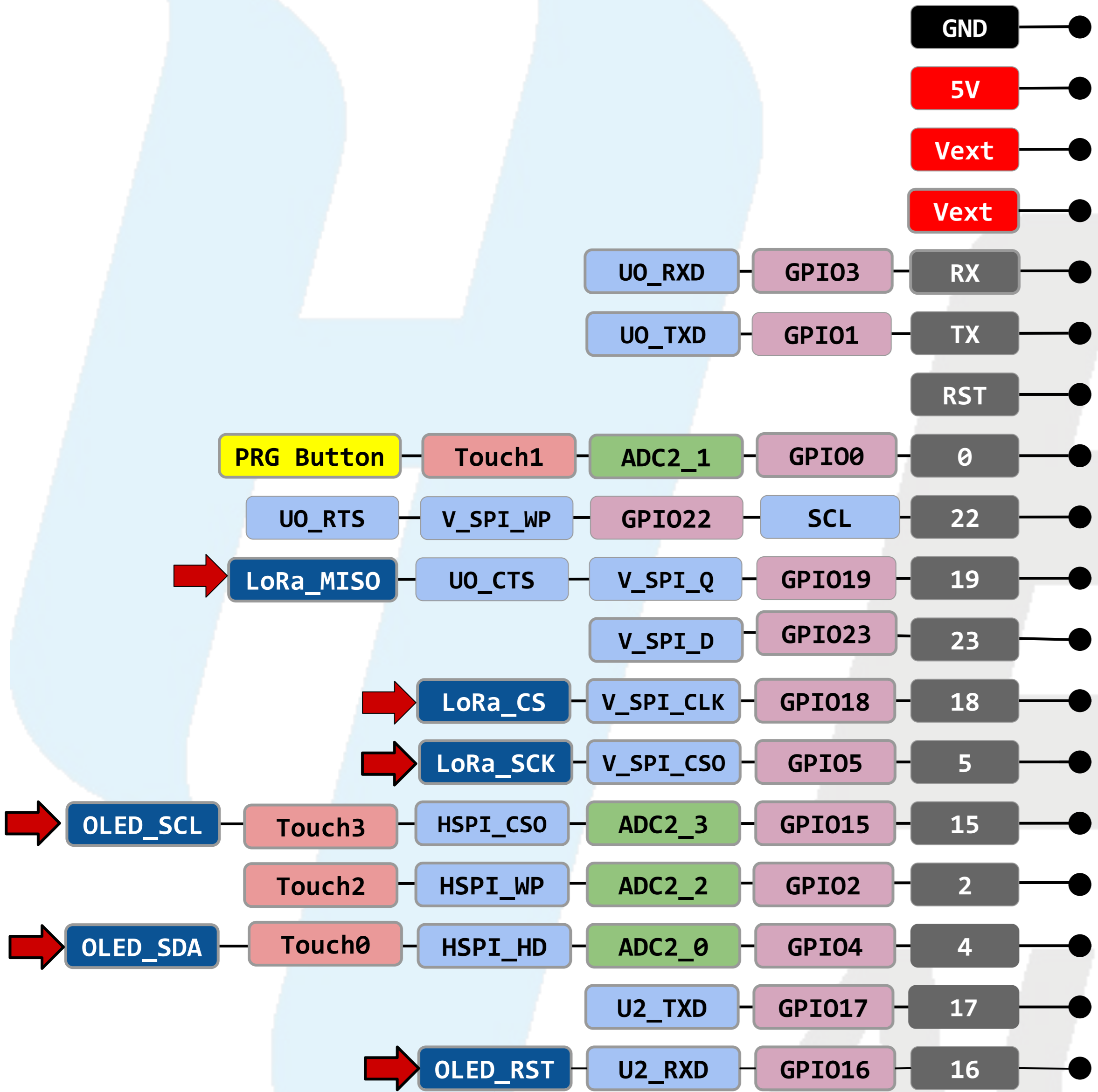
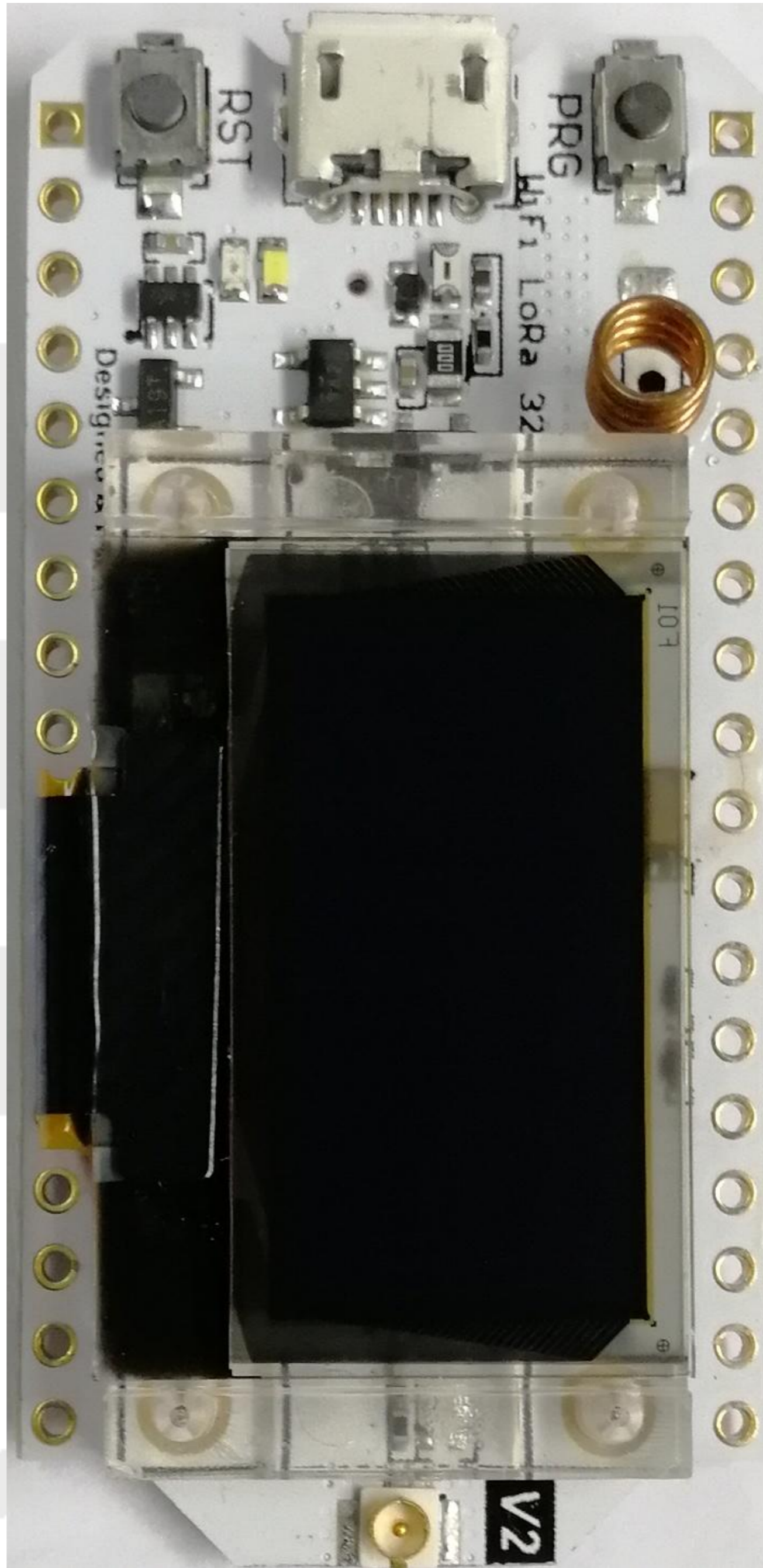


# WiFi LoRa 32(V2) Pinout Diagram

**Notes:**  
 \*GPIO input only  
 \*ADC preamplifier  
 GPIOs are 3.3V tolerant only

- GND
- Power
- Control
- Touch Pin
- GPIO Port pin
- Analog Pin
- DAC
- Serial SPI I2C
- Physical Pin
- On-board hardware Pin



**➔** Pins with this arrow are used by on-board OLED or LoRa, they must not be used for other purpose unless you know what you are doing!

GPI021 -- Vext control  
 LOW → Vext(3.3V/250mA) ON  
 HIGH → Vext(3.3V/250mA) OFF