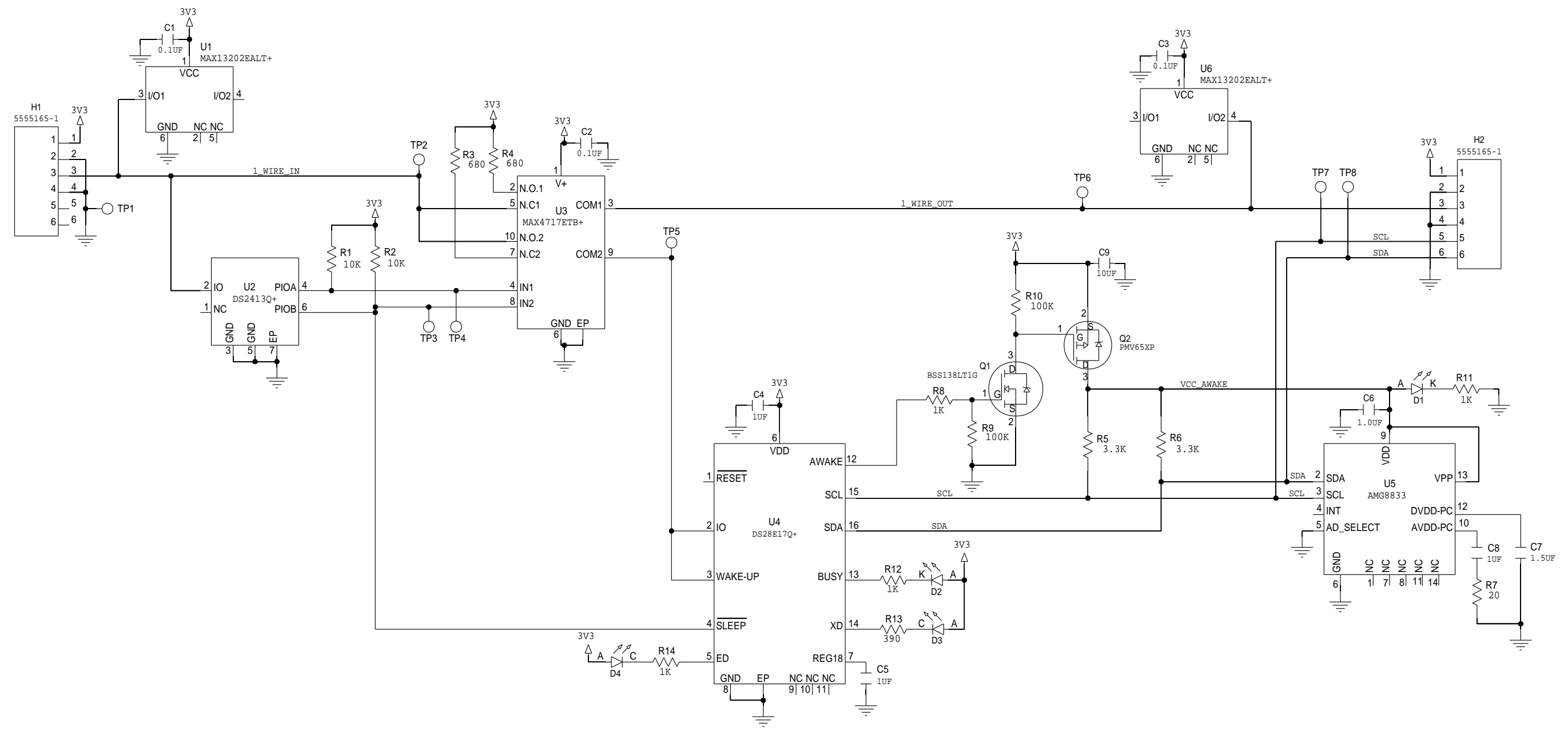


REVISIONS				
ZONE	LTR	DESCRIPTION	DATE	AUTHOR



	PROJECT TITLE: MAXREFDES131	
	DRAWING TITLE:	
<p>THIS DOCUMENT CONTAINS INFORMATION PROPRIETARY TO MAXIM USE OR DISCLOSURE PERMISSION OF AN OFFICER OF MAXIM IS EXPRESSLY FORBIDDEN.</p>	SIZE: <b>B</b>	HARDWARE NUMBER:
	ENGINEER:	DRAWN BY:
		DATE: 7/19/2016
	TEMPLATE REV:	REV: A

